



... Quality Piping For Your Every Need



Suruhanjaya Perkhidmatan Air Negara



CERTIFIED TO ISO 9001:2008
CERT NO.: AA 5518



CERTIFIED TO ISO 9001:2008
CERT NO.: AA 5518



CERTIFIED TO ISO 9001:2008
CERT NO.: AA 5518



Revolutionary Pipe

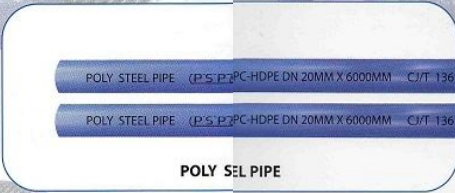
RANGE OF PRODUCTS



90° ELBOW



45° ELBOW



POLY SEL PIPE



UNION



THREADING TOOLS (CLAMPS)



90° REDUCING ELBOW



MALE & FEMALE ELBOW



PLUG



EQUAL SOCKET



REDUCING SOCKET



MALE & FEMALE SOCKET



NIPPLE



REDUCING NIPPLE



REDUCING BUSH



EQUAL TEE



REDUCING TEE



CROSS TEE



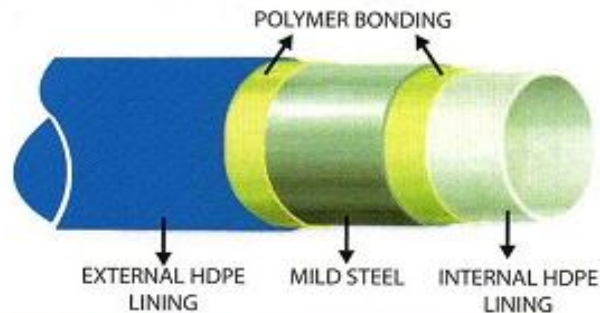
Technical Specifications

Poly Steel Pipe Table

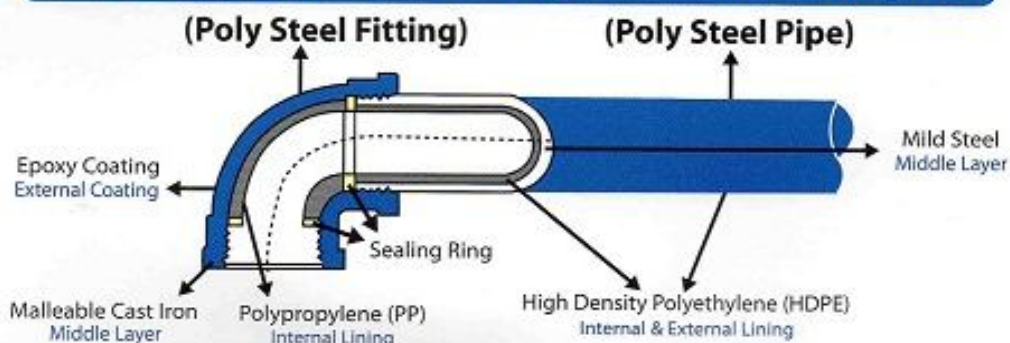
PN 16								
Dimension				Wall Thickness			Total Weight of Pipe +/- 5%	Bundles
Nominal Diameter		Internal Diameter +/- 5%	External Diameter +/- 5%	External HDPE +/- 10%	Steel Plates +/- 10%	Internal HDPE +/- 10%		
mm	Inch	mm	mm	mm	mm	mm	KG/Length	Length
15	1/2	13.3	23.5	1.0	2.60	1.50	7.82	127
20	3/4	18.8	29.0	1.0	2.60	1.50	9.92	91
25	1	24.5	35.9	1.0	3.20	1.50	15.08	91
32	1 1/4	33.3	44.7	1.0	3.20	1.50	19.28	37
40	1 1/2	38.5	49.9	1.0	3.20	1.50	22.26	37
50	2	50.5	62.7	1.0	3.60	1.50	31.20	37
65	2 1/2	65.5	78.7	1.5	3.60	1.50	40.10	19
80	3	77.5	91.7	1.5	3.60	2.00	52.80	19
100	4	103.0	117.2	1.5	3.60	2.00	62.50	7

Kindly refer to the tolerance % as stated above.

Poly Steel Pipe Diagram



Poly Steel Pipe and Fitting Connection Diagram



Technical Specifications

Poly Steel Fitting Table

PN 16							
Nominal Diameter		Internal Diameter	External Diameter	Wall Thickness	Flat End of External Diameter	Wall Thickness of PP Lining	Epoxy Coating Thickness
		D1	D	B	D2	S	T
mm	Inch	mm	mm	mm	mm	mm	mm
15	1/2	11.0	28.0	2.5	29.0	6.0	0.1
20	3/4	16.0	34.0	3.0	36.0	6.0	0.1
25	1	21.0	41.0	3.0	43.0	7.0	0.1
32	1 1/4	29.4	51.0	3.5	52.0	7.3	0.1
40	1 1/2	34.6	57.0	3.5	59.0	7.7	0.1
50	2	45.6	70.0	4.0	72.0	8.2	0.1
65	2 1/2	59.0	85.0	4.0	88.0	9.0	0.1
80	3	69.0	99.0	5.0	103.0	10.0	0.1
100	4	94.0	126.0	5.0	130.0	11.0	0.1

Tolerance +/- 5%

Poly Steel Fitting - Elbow Diagram

